

# R6036ODI

59.5" x 35.5" x 18.75"

**GENERAL SPECIFICATIONS:**

**Installation:** Drop-In (cannot be undermounted)

**Material:** Acrylic

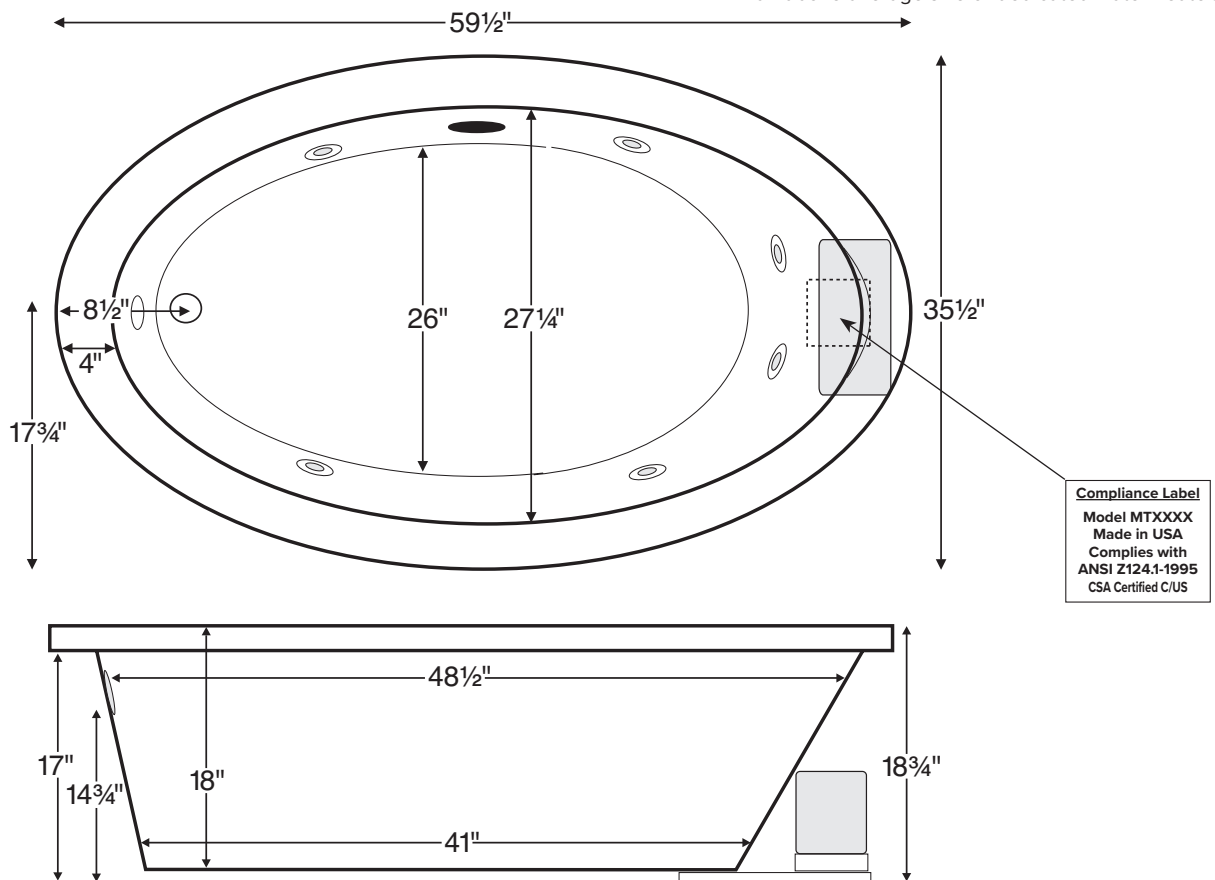
**Plumbed Weight:** 99 lbs / 45 kg

**Soaker Weight:** 75 lbs / 34 kg

**Average Fill:** 41 gal to above jet level

**Maximum Fill:** 62 gal to overflow

**NOTE:** Filling this tub to the maximum may require an above average size or dedicated water heater.



**Compliance Label**  
 Model MTXXXX  
 Made in USA  
 Complies with  
 ANSI Z124.1-1995  
 CSA Certified C/US

**ELECTRICAL SPECIFICATIONS**

- Required Electrical Service** - 110 Volt
- Air Bath or Whirlpool** - 1-15 amp GFCI
- Soaker** - Inline Heater - 1-15 amp GFCI
- Air Bath** - Inline Heater - 1-15 amp GFCI
- Whirlpool** - Inline Heater - 1-15 amp GFCI

**CSA Certified C/US; ANSI Z124.1**  
**CSA Certified C/US; ANSI 112.19.7**

**IMPORTANT ORDERING & INSTALLATION INFORMATION:**

- Before ordering or installing, please consider future access to all equipment.
- Please measure tub on-site before building tub decking.
- Add bedding compound to fully level and support bottom of tub.
- Tubs equipped with an air bath or a pre-leveled foam base are designed to rest on the floor without bedding compound, provided the floor is level.
- Overall tub height is increased by approx. 2-3" when tub is equipped with any air bath package.
- Jet, pump & blower locations are predetermined and cannot be changed.
- Suction and control locations may vary.

• Before discarding tub crate, check for accessories that may be packaged inside.  
 • All product measurements are ±1/2".  
 • Specifications and configurations are subject to change without notice.  
 • Measurements herein supersede all others published prior to publication date below.

PACKAGE	PACKAGE CONTENTS	PART #
<b>Soaker</b>	Soaking bath - No jets. Includes textured bottom.	<b>R6036ODIS</b>
<b>Air Bath</b>	12 air jets, heated air blower, pre-leveled foam base and textured bottom. <i>pre-leveled foam base increases overall tub height 2"-3"</i>	<b>R6036ODIA</b>
<b>Whirlpool</b>	6 point-massage jets, 1-bhp pump and textured bottom	<b>R6036ODIW</b>

<b>OPTIONS</b> <i>(must be ordered at time of purchase)</i>
<b>Color Upgrade:</b> Biscuit (RCOLOR)
<b>Inline Heater</b> For Whirlpool (RHTI) Heater with Recirculating Pump for Soaker & Air Bath (RHTISOAK)
<b>ACCESSORIES</b>
<b>Lift and Turn Drain &amp; Overflow</b> Chrome (RWOC) Brushed Nickel (RWOBN) White (RWOW)
<b>Pillows</b> Soft Pillow White (RPSW) Black (RPSB) Roll-Up Pillow Light Aqua (RPRUC) Black (RPRUB)
<b>INSTALLATION OPTIONS</b> <i>(must be ordered at time of purchase)</i>
<b>Pre-Leveled Foam Base</b> (included with all airbaths) 5' Tubs (RPLFOAM) 5.5' & 6' Tubs (RPLFOAM2)